

CHAPTER 1

CLASSIFICATION

Propulsion in a broad sense is the act of changing the motion of a body. Propulsion mechanisms provide a force that moves bodies that are initially at rest, changes a velocity, or overcomes retarding forces when a body is propelled through a medium. *Jet propulsion* is a means of locomotion whereby a reaction force is imparted to a device by the momentum of ejected matter.

Rocket propulsion is a class of jet propulsion that produces thrust by ejecting stored matter, called the *propellant*. *Duct propulsion* is a class of jet propulsion and includes turbojets and ramjets; these engines are also commonly called air-breathing engines. Duct propulsion devices utilize mostly the surrounding medium as the “working fluid”, together with some stored fuel. Combinations of rockets and duct propulsion devices are attractive for some applications and are described in this chapter.

The *energy source* most useful to rocket propulsion is *chemical combustion*. Energy can also be supplied by *solar radiation* and, in the past, also by *nuclear reaction*. Accordingly, the various propulsion devices can be divided into *chemical propulsion*, *nuclear propulsion*, and *solar propulsion*. Table 1–1 lists many of the important propulsion concepts according to their energy source and type of propellant or working fluid. Radiation energy can originate from sources other than the sun, and theoretically can cover the transmission of energy by microwave and laser beams, electromagnetic waves, and electrons, protons, and other particle beams from a transmitter to a flying receiver. Nuclear energy is associated with the transformations of atomic particles within the nucleus of atoms and can be of several types, namely, fission, fusion, and decay of radioactive species. Other energy sources, both internal (in the vehicle) and external, can be considered. The energy form

TABLE 1-1. Energy Sources and Propellants for Various Propulsion Concepts

Propulsion Device	Energy Source ^a			Propellant or Working Fluid
	Chemical	Nuclear	Solar	
Turbojet	D/P	TFD		Fuel + air
Turbo-ramjet	TFD			Fuel + air
Ramjet (hydrocarbon fuel)	D/P	TFD		Fuel + air
Ramjet (H ₂ cooled)	TFD			Hydrogen + air
Rocket (chemical)	D/P	TFD		Stored propellant
Ducted rocket	TFD			Stored solid fuel + surrounding air
Electric rocket	D/P	TFD	D/P	Stored propellant
Nuclear fission rocket		TFD		Stored H ₂
Nuclear fusion rocket		TFND		Stored H ₂
Solar heated rocket			TFD	Stored H ₂
Photon rocket (big light bulb)		TFND		Photon ejection (no stored propellant)
Solar sail			TFD	Photon reflection (no stored propellant)

^aD/P, developed and/or considered practical; TFD, technical feasibility has been demonstrated, but development is incomplete; TFND, technical feasibility has not yet been demonstrated.

found in the output of a rocket is largely the kinetic energy of the ejected matter; thus the rocket converts the input from the energy source into this form. The ejected mass can be in a solid, liquid, or gaseous state. Often a combination of two or more of these is ejected. At very high temperatures it can also be a plasma, which is an electrically activated gas.

1.1. DUCT JET PROPULSION

This class, also called air-breathing engines, comprises devices which have a duct to confine the flow of air. They use oxygen from the air to burn fuel stored in the flight vehicle. The class includes turbojets, turbofans, ramjets, and pulsejets. This class of propulsion is mentioned primarily to provide a comparison with rocket propulsion and a background for combination rocket-duct engines, which are mentioned later. Several textbooks, such as Refs. 1-1 and 1-2, contain a discussion of duct jet propulsion fundamentals. Table 1-2 compares several performance characteristics of specific chemical rockets with those of typical turbojets and ramjets. A high specific impulse is directly related to a long flight range and thus indicates the superior range capability of air breather engines over chemical rockets at relatively low altitude. The uniqueness of the rocket, for example, high thrust to weight, high thrust to frontal

TABLE 1-2. Comparison of Several Characteristics of a Typical Chemical Rocket and Two Duct Propulsion Systems

Feature	Rocket Engine or Rocket Motor	Turbojet Engine	Ramjet Engine
Thrust-to-weight ratio, typical	75:1	5:1, turbojet and afterburner	7:1 at Mach 3 at 30,000 ft
Specific fuel consumption (pounds of propellant or fuel per hour per pound of thrust) ^a	8-14	0.5-1.5	2.3-3.5
Specific thrust (pounds of thrust per square foot frontal area) ^b	5000 to 25,000	2500 (Low Mach at sea level)	2700 (Mach 2 at sea level)
Thrust change with altitude	Slight increase	Decreases	Decreases
Thrust vs. flight speed	Nearly constant	Increases with speed	Increases with speed
Thrust vs. air temperature	Constant	Decreases with temperature	Decreases with temperature
Flight speed vs. exhaust velocity	Unrelated, flight speed can be greater	Flight speed always less than exhaust velocity	Flight speed always less than exhaust velocity
Altitude limitation	None; suited to space travel	14,000-17,000 m	20,000 m at Mach 3 30,000 m at Mach 5 45,000 m at Mach 12
Specific impulse typical ^c (thrust force per unit propellant or fuel weight flow per second)	270 sec	1600 sec	1400 sec

^aMultiply by 0.102 to convert to kg/hr-N.

^bMultiply by 47.9 to convert to N/m².

^cSpecific impulse is a performance parameter and is defined in Chapter 2.

area, and thrust independence of altitude, enables extremely long flight ranges to be obtained in rarefied air and in space.

The *turbojet engine* is the most common of ducted engines. Figure 1-1 shows the basic elements.

At supersonic flight speeds above Mach 2, the *ramjet engine* (a pure duct engine) becomes attractive for flight within the atmosphere. Thrust is produced by increasing the momentum of the air as it passes through the ramjet, basically as is accomplished in the turbojet and turbofan engines but without compressors or turbines, Figure 1-2 shows the basic components of one type of ramjet. Ramjets with subsonic combustion and hydrocarbon fuel have an upper speed limit of approximately Mach 5; hydrogen fuel, with hydrogen cooling, raises this to at least Mach 16. Ramjets depend on rocket boosters, or some other method (such as being launched from an aircraft) for being accelerated to near their design flight speed to become functional. The primary applications have been in shipboard and ground-launched anti-aircraft missiles. Studies of a hydrogen-fueled ramjet for hypersonic aircraft look promising. The supersonic flight vehicle is a combination of a ramjet-driven high-speed airplane and a one- or two-stage rocket booster. It can travel at speeds up to a Mach number of 25 at altitudes of up to 50,000 m.

1.2. ROCKET PROPULSION

Rocket propulsion systems can be classified according to the type of energy source (chemical, nuclear, or solar), the basic function (booster stage, sustainer, attitude control, orbit station keeping, etc.), the type of vehicle (aircraft, missile, assisted take-off, space vehicle, etc.), size, type of propellant, type of construction, or number of rocket propulsion units used in a given vehicle. Each is treated in more detail in subsequent chapters.

Another way is to classify by the method of producing thrust. A thermodynamic expansion of a gas is used in the majority of practical rocket propulsion concepts. The internal energy of the gas is converted into the kinetic energy of the exhaust flow and the thrust is produced by the gas pressure on the surfaces exposed to the gas, as will be explained later. This same thermo-

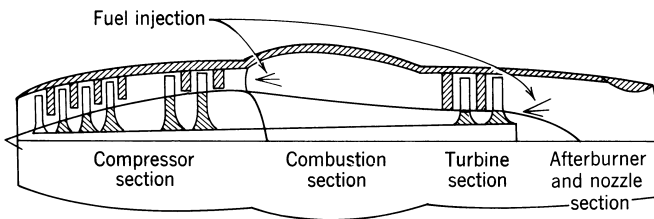


FIGURE 1-1. Simplified schematic diagram of a turbojet engine.

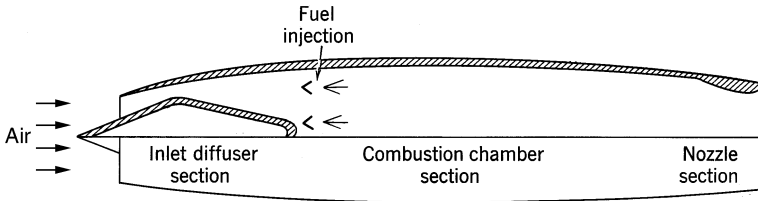


FIGURE 1–2. Simplified diagram of a ramjet with a supersonic inlet (converging and diverging flow passage).

dynamic theory and the same generic equipment (nozzle) is used for jet propulsion, rocket propulsion, nuclear propulsion, laser propulsion, solar-thermal propulsion, and some types of electrical propulsion. Totally different methods of producing thrust are used in other types of electric propulsion or by using a pendulum in a gravity gradient. As described below, these electric systems use magnetic and/or electric fields to accelerate electrically charged molecules or atoms at very low densities. It is also possible to obtain a very small acceleration by taking advantage of the difference in gravitational attraction as a function of altitude, but this method is not explained in this book.

The Chinese developed and used solid propellant in rocket missiles over 800 years ago and military bombardment rockets were used frequently in the eighteenth and nineteenth centuries. However, the significant developments of rocket propulsion took place in the twentieth century. Early pioneers included the Russian Konstantin E. Ziolkowsky, who is credited with the fundamental rocket flight equation and his 1903 proposals to build rocket vehicles. The German Hermann Oberth developed a more detailed mathematical theory; he proposed multistage vehicles for space flight and fuel-cooled thrust chambers. The American Robert H. Goddard is credited with the first flight using a liquid propellant rocket engine in 1926. An early book on the subject was written by the Viennese engineer Eugen Sänger. For rocket history see Refs. 1–3 to 1–7.

Chemical Rocket Propulsion

The energy from a high-pressure combustion reaction of propellant chemicals, usually a fuel and an oxidizing chemical, permits the heating of reaction product gases to very high temperatures (2500 to 4100°C or 4500 to 7400°F). These gases subsequently are expanded in a nozzle and accelerated to high velocities (1800 to 4300 m/sec or 5900 to 14,100 ft/sec). Since these gas temperatures are about twice the melting point of steel, it is necessary to cool or insulate all the surfaces that are exposed to the hot gases. According to the physical state of the propellant, there are several different classes of chemical rocket propulsion devices.

Liquid propellant rocket engines use liquid propellants that are fed under pressure from tanks into a thrust chamber.* A typical pressure-fed liquid propellant rocket engine system is schematically shown in Fig. 1–3. The liquid *bipropellant* consists of a liquid oxidizer (e.g., liquid oxygen) and a liquid fuel (e.g., kerosene). A *monopropellant* is a single liquid that contains both oxidizing and fuel species; it decomposes into hot gas when properly catalyzed. A large turbopump-fed liquid propellant rocket engine is shown in Fig. 1–4. Gas pressure feed systems are used mostly on low thrust, low total energy propulsion systems, such as those used for attitude control of flying vehicles, often with more than one thrust chamber per engine. Pump-fed liquid rocket systems are used typically in applications with larger amounts of propellants and higher thrusts, such as in space launch vehicles.

In the *thrust chamber* the propellants react to form hot gases, which in turn are accelerated and ejected at a high velocity through a supersonic nozzle, thereby imparting momentum to the vehicle. A nozzle has a converging section, a constriction or throat, and a conical or bell-shaped diverging section as further described in the next two chapters.

Some liquid rocket engines permit repetitive operation and can be started and shut off at will. If the thrust chamber is provided with adequate cooling capacity, it is possible to run liquid rockets for periods exceeding 1 hour, dependent only on the propellant supply. A liquid rocket propulsion system requires several precision valves and a complex feed mechanism which includes propellant pumps, turbines, or a propellant-pressurizing device, and a relatively intricate combustion or thrust chamber.

In *solid propellant rocket motors*† the propellant to be burned is contained within the combustion chamber or *case*. The solid propellant charge is called the *grain* and it contains all the chemical elements for complete burning. Once ignited, it usually burns smoothly at a predetermined rate on all the exposed internal surfaces of the grain. Initial burning takes place at the internal surfaces of the cylinder perforation and the four slots. The internal cavity grows as propellant is burned and consumed. The resulting hot gas flows through the supersonic nozzle to impart thrust. Once ignited, the motor combustion proceeds in an orderly manner until essentially all the propellant has been consumed. There are no feed systems or valves (see Fig. 1–5).

Liquid and solid propellants, and the propulsion systems that use them, are discussed in Chapters 6 to 10 and 11 to 14, respectively. Liquid and solid propellant rocket propulsion systems are compared in Chapter 17.

*The term *thrust chamber*, used for the assembly of the injector, nozzle, and chamber, is preferred by several official agencies and therefore has been used in this book. However, other terms, such as *thrust cylinder* and *combustor*, are still used in the literature. For small spacecraft control rockets the term *thruster* is commonly used and this term will be used in some sections of this book.

†Historically the word *engine* is used for a liquid propellant rocket propulsion system and the word *motor* is used for solid propellant rocket propulsion. They were developed originally by different groups.

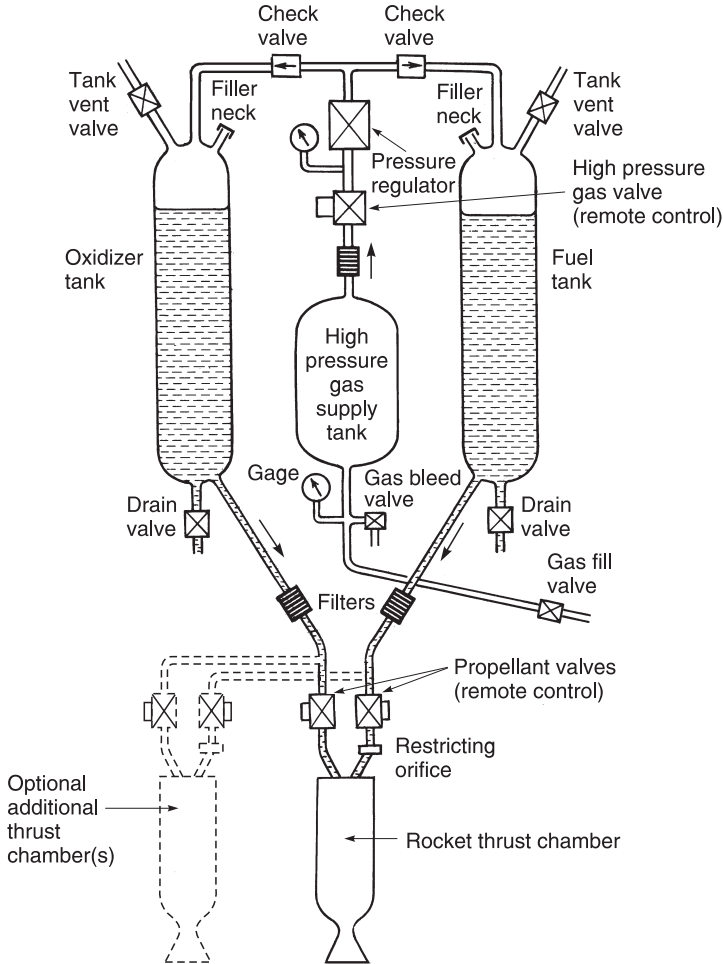


FIGURE 1-3. Schematic flow diagram of a liquid propellant rocket engine with a gas pressure feed system. The dashed lines show a second thrust chamber, but some engines have more than a dozen thrust chambers supplied by the same feed system. Also shown are components needed for start and stop, controlling tank pressure, filling propellants and pressurizing gas, draining or flushing out remaining propellants, tank pressure relief or venting, and several sensors.

Gaseous propellant rocket engines use a stored high-pressure gas, such as air, nitrogen, or helium, as their working fluid or propellant. The stored gas requires relatively heavy tanks. These cold gas engines have been used on many early space vehicles as attitude control systems and some are still used today. Heating the gas by electrical energy or by combustion of certain monopropellants improves the performance and this has often been called *warm gas propellant rocket propulsion*.

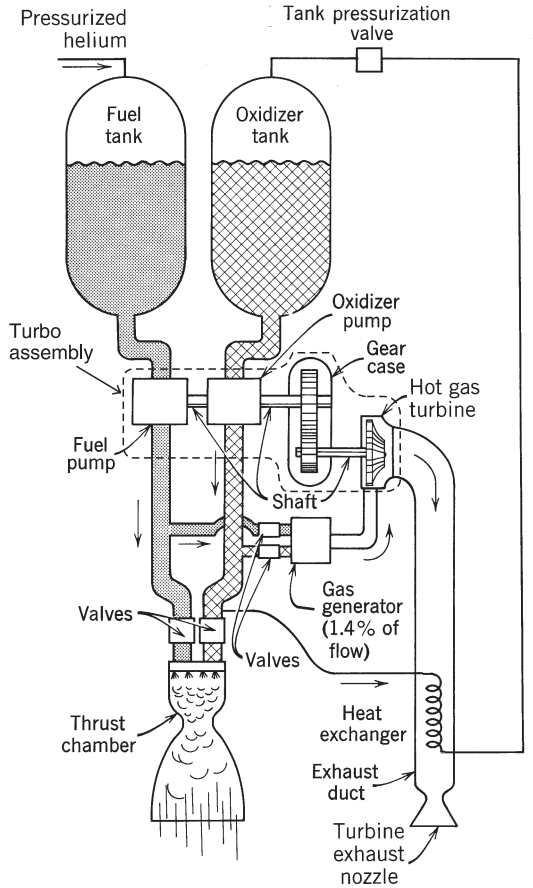


FIGURE 1-4. Simplified schematic diagram of one type of liquid propellant rocket engine with a turbopump feed system and a separate gas generator, which generates warm gas for driving the turbine. Not shown are components necessary for controlling the operation, filling, venting, draining, or flushing out propellants, filters or sensors. The turbopump assembly consists of two propellant pumps, a gear case, and a high speed turbine.

Hybrid propellant rocket propulsion systems use both a liquid and a solid propellant. For example, if a liquid oxidizing agent is injected into a combustion chamber filled with solid carbonaceous fuel grain, the chemical reaction produces hot combustion gases (see Fig. 1-6). They are described further in Chapter 15.

There are also chemical rocket propulsion *combination systems* that have both solid and liquid propellants. One example is a pressurized liquid propellant system that uses a solid propellant to generate hot gases for tank pressurization; flexible diaphragms are necessary to separate the hot gas and the reactive liquid propellant in the tank.

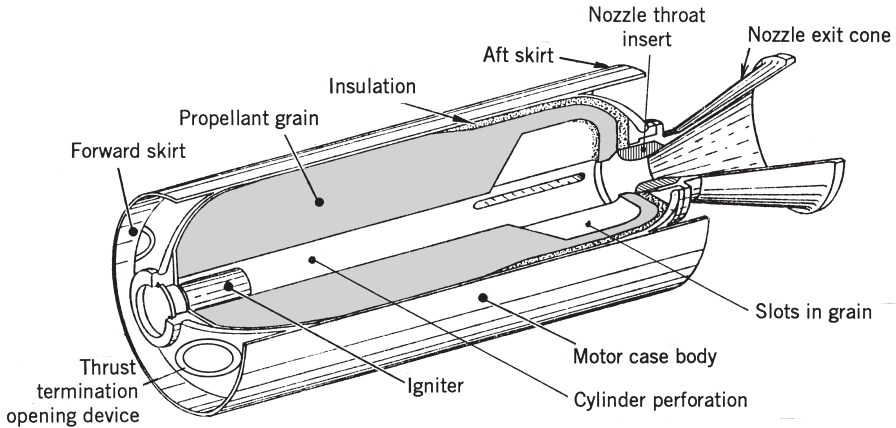


FIGURE 1-5. Simplified perspective three-quarter section of a typical solid propellant rocket motor with the propellant grain bonded to the case and the insulation layer and with a conical exhaust nozzle. The cylindrical case with its forward and aft hemispherical domes form a pressure vessel to contain the combustion chamber pressure. Adapted with permission from Reference 11-1.

Combinations of Ducted Jet Engines and Rocket Engines

The Tomahawk surface-to-surface missile uses two stages of propulsion in sequence. The solid propellant rocket booster lifts the missile away from its launch platform and is discarded after its operation. A small turbojet engine sustains the low level flight at nearly constant speed toward the target.

A *ducted rocket*, sometimes called an *air-augmented rocket*, combines the principles of rocket and ramjet engines; it gives higher performance (specific impulse) than a chemical rocket engine, while operating within the earth's atmosphere. Usually the term *air-augmented rocket* denotes mixing of air with the rocket exhaust (fuel-rich for afterburning) in proportions that enable the propulsion device to retain the characteristics typifying a rocket engine, for example, high static thrust and high thrust-to-weight ratio. In contrast, the ducted rocket often is like a ramjet in that it must be boosted to operating speed and uses the rocket components more as a fuel-rich gas generator (liquid, solid, or hybrid), igniter, and air ejecter pump.

The principles of the rocket and ramjet can be combined so that the two propulsion systems operate in sequence and in tandem and yet utilize a common combustion chamber volume as shown in Fig. 1-7. The low-volume configuration, known as an *integral rocket-ramjet*, can be attractive in air-launched missiles using ramjet propulsion (see Ref. 1-8). The transition from the rocket to the ramjet requires enlarging the exhaust nozzle throat (usually by ejecting rocket nozzle parts), opening the ramjet air inlet-combustion chamber interface, and following these two events with the normal ramjet starting sequence.

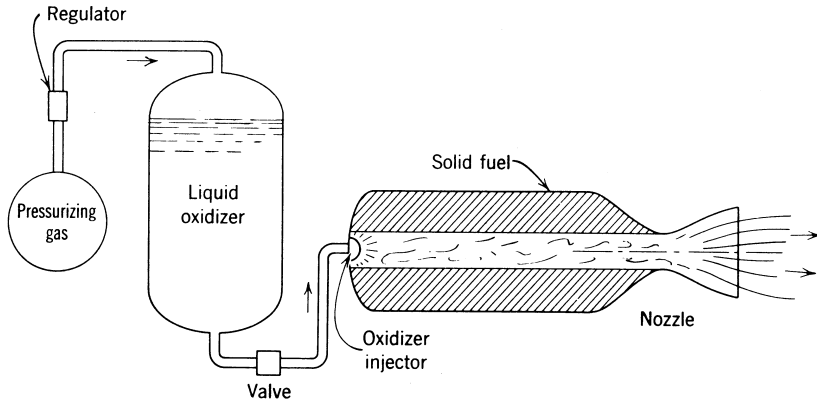


FIGURE 1-6. Simplified schematic diagram of a typical hybrid rocket engine. The relative positions of the oxidizer tank, high pressure gas tank, and the fuel chamber with its nozzle depend on the particular vehicle design.

A *solid fuel ramjet* uses a grain of solid fuel that gasifies or ablates and reacts with air. Good combustion efficiencies have been achieved with a patented boron-containing solid fuel fabricated into a grain similar to a solid propellant and burning in a manner similar to a hybrid rocket propulsion system.

Nuclear Rocket Engines

Three different types of nuclear energy sources have been investigated for delivering heat to a working fluid, usually liquid hydrogen, which subsequently can be expanded in a nozzle and thus accelerated to high ejection velocities (6000 to 10,000 m/sec). However, none can be considered fully developed today and none have flown. They are the *fission reactor*, the

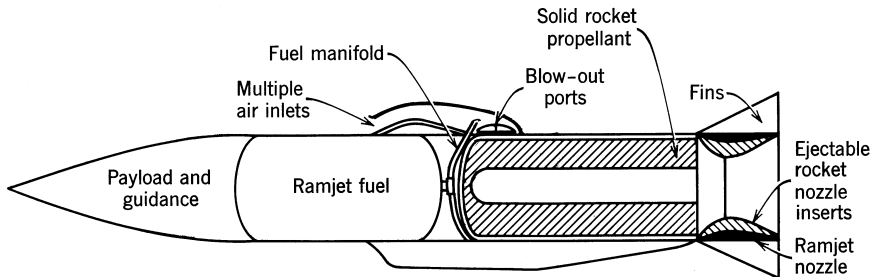


FIGURE 1-7. Elements of an air-launched missile with integral rocket-ramjet propulsion. After the solid propellant has been consumed in boosting the vehicle to flight speed, the rocket combustion chamber becomes the ramjet combustion chamber with air burning the ramjet liquid fuel.

radioactive isotope decay source, and the *fusion reactor*. All three types are basically extensions of liquid propellant rocket engines. The heating of the gas is accomplished by energy derived from transformations within the nuclei of atoms. In chemical rockets the energy is obtained from within the propellants, but in nuclear rockets the power source is usually separate from the propellant.

In the *nuclear fission reactor rocket*, heat can be generated by the fission of uranium in the solid reactor material and subsequently transferred to the working fluid (see Refs. 1–9 to 1–11). The *nuclear fission rocket* is primarily a high-thrust engine (above 40,000 N) with specific impulse values up to 900 sec. Fission rockets were designed and tested in the 1960s. Ground tests with hydrogen as a working fluid culminated in a thrust of 980,000 N (210,000 lb force) at a graphite core nuclear reactor level of 4100 MW with an equivalent altitude-specific impulse of 848 sec and a hydrogen temperature of about 2500 K. There were concerns with the endurance of the materials at the high temperature (above 2600 K) and intense radiations, power level control, cooling a reactor after operation, moderating the high-energy neutrons, and designing lightweight radiation shields for a manned space vehicle.

In recent years there have been renewed interest in nuclear fission rocket propulsion primarily for a potential manned planetary exploration mission. Studies have shown that the high specific impulse (estimated in some studies at 1100 sec) allows shorter interplanetary trip transfer times, smaller vehicles, and more flexibility in the launch time when planets are not in their optimum relative position.

In the *isotope decay engine* a radioactive material gives off radiation, which is readily converted into heat. Isotope decay sources have been used successfully for generating electrical power in space vehicles and some have been flown as a power supply for satellites and deep space probes. The released energy can be used to raise the temperature of a propulsive working fluid such as hydrogen or perhaps drive an electric propulsion system. It provides usually a lower thrust and lower temperature than the other types of nuclear rocket. As yet, isotope decay rocket engines have not been developed or flown.

Fusion is the third nuclear method of creating nuclear energy that can heat a working fluid. A number of different concepts have been studied. To date none have been tested and many concepts are not yet feasible or practical. Concerns about an accident with the inadvertent spreading of radioactive materials in the earth environment and the high cost of development programs have to date prevented a renewed experimental development of a large nuclear rocket engine. Unless there are some new findings and a change in world attitude, it is unlikely that a nuclear rocket engine will be developed or flown in the next few decades, therefore no further discussion of it is given in this book.

Electric Rocket Propulsion

In all electric propulsion the source of the electric power (nuclear, solar radiation receivers, or batteries) is physically separate from the mechanism that produces the thrust. This type of propulsion has been handicapped by heavy and inefficient power sources. The thrust usually is low, typically 0.005 to 1 N. In order to allow a significant increase in the vehicle velocity, it is necessary to apply the low thrust and thus a small acceleration for a long time (weeks or months) (see Chapter 19 and Refs. 1–12 and 1–13).

Of the three basic types, electrothermal rocket propulsion most resembles the previously mentioned chemical rocket units; propellant is heated electrically (by heated resistors or electric arcs) and the hot gas is then thermodynamically expanded and accelerated to supersonic velocity through an exhaust nozzle (see Fig. 1–8). These electrothermal units typically have thrust ranges of 0.01 to 0.5 N, with exhaust velocities of 1000 to 5000 m/sec, and ammonium, hydrogen, nitrogen, or hydrazine decomposition product gases have been used as propellants.

The two other types—the electrostatic or ion propulsion engine and the electromagnetic or magnetoplasma engine—accomplish propulsion by different principles and the thermodynamic expansion of gas in a nozzle, as such, does not apply. Both will work only in a vacuum. In an ion rocket (see Fig. 1–9) a working fluid (typically, xenon) is ionized (by stripping off electrons) and then the electrically charged heavy ions are accelerated to very high velocities (2000 to 60,000 m/sec) by means of electrostatic fields. The ions are subsequently electrically neutralized; they are combined with electrons to prevent the buildup of a space charge on the vehicle.

In the magnetoplasma rocket an electrical plasma (an energized hot gas containing ions, electrons, and neutral particles) is accelerated by the interaction between electric currents and magnetic fields and ejected at high velocity

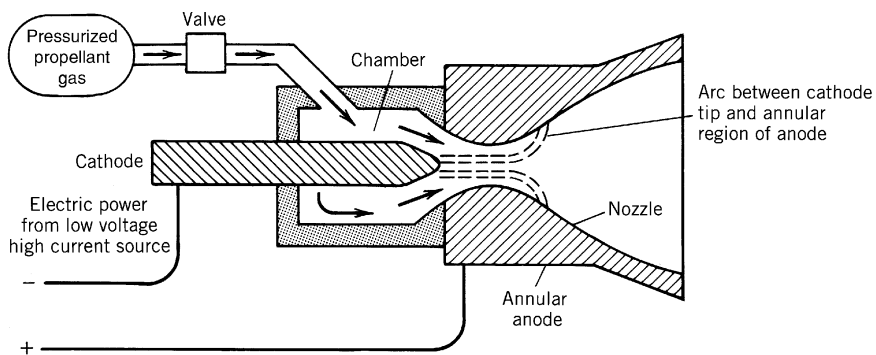


FIGURE 1–8. Simplified schematic diagram of arc-heating electric rocket propulsion system. The arc plasma temperature is very high (perhaps 15,000 K) and the anode, cathode, and chamber will get hot (1000 K) due to heat transfer.

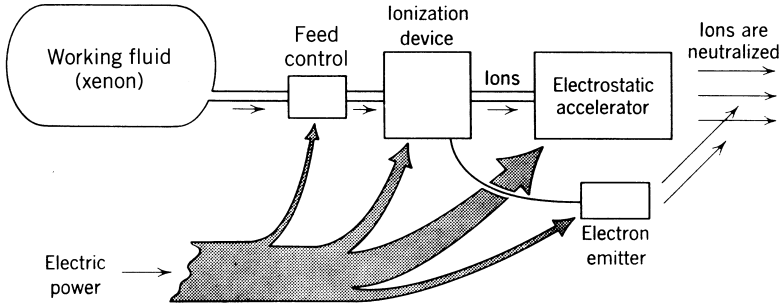


FIGURE 1-9. Simplified schematic diagram of a typical ion rocket, showing the approximate distribution of the electric power.

(1000 to 50,000 m/sec). There are many different types and geometries. A simple pulsed (not continuously operating) unit with a solid propellant is shown in Fig. 1-10. This type has had a good flight record as a spacecraft attitude control engine.

Other Rocket Propulsion Concepts

Several technologies exist for harnessing solar energy to provide the power for spacecraft and also to propel spacecraft using electrical propulsion. Solar cells generate electric power from the sun’s radiation. They are well developed and have been successful for several decades. Most electric propulsion systems have used solar cells for their power supply.

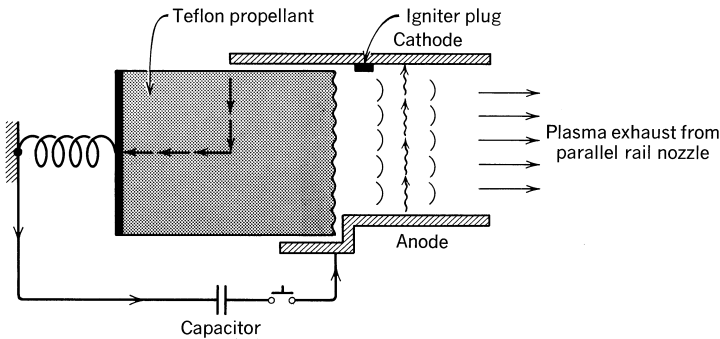


FIGURE 1-10. Simplified diagram of a rail accelerator for self-induced magnetic acceleration of a current-carrying plasma. When the capacitor is discharged, an arc is struck at the left side of the rails. The high current in the plasma arc induces a magnetic field. The action of the current and the magnetic field causes the plasma to be accelerated at right angles to both the magnetic field and the current, namely in the direction of the rails. Each time the arc is created a small amount of solid propellant (Teflon) is vaporized and converted to a small plasma cloud, which (when ejected) gives a small pulse of thrust. Actual units can operate with many pulses per second.

An attractive concept, the *solar thermal rocket*, has large diameter optics to concentrate the sun's radiation (e.g., by lightweight precise parabolic mirrors or Fresnel lenses) onto a receiver or optical cavity. Figure 1-11 shows one concept and some data is given in Table 2-1. The receiver is made of high temperature metal (such as tungsten or rhenium) and has a cooling jacket or heat exchanger. It heats a working fluid, usually liquid hydrogen, up to perhaps 2500°C and the hot gas is controlled by hot gas valves and exhausted through one or more nozzles. The large mirror has to be pointed toward the sun and this requires the mirror to be adjustable in its orientation. Performance can be two to three times higher than that of a chemical rocket and thrust levels in most studies are low (1 to 10 N). Since large lightweight optical elements cannot withstand drag forces without deformation, the optical systems are deployed outside the atmosphere. Contamination is negligible, but storage or refueling of liquid hydrogen is a challenge. Problems being investigated include rigid, lightweight mirror or lens structures, operational life, minimizing hydrogen evaporation, and heat losses to other spacecraft components. To date the solar thermal rocket has not yet provided the principal thrust of a flying spacecraft.

The *solar sail* is another concept. It is basically a big photon reflector surface. The power source for the solar sail is the sun and it is external to the vehicle (see Ref. 1-14). Approaches using nuclear explosions and pulsed nuclear fusion have been analyzed (Refs. 1-15 and 1-16), but are not yet feasible. Concepts for transmitting radiation energy (by lasers or microwaves) from earth stations to satellites have been proposed, but are not yet developed.

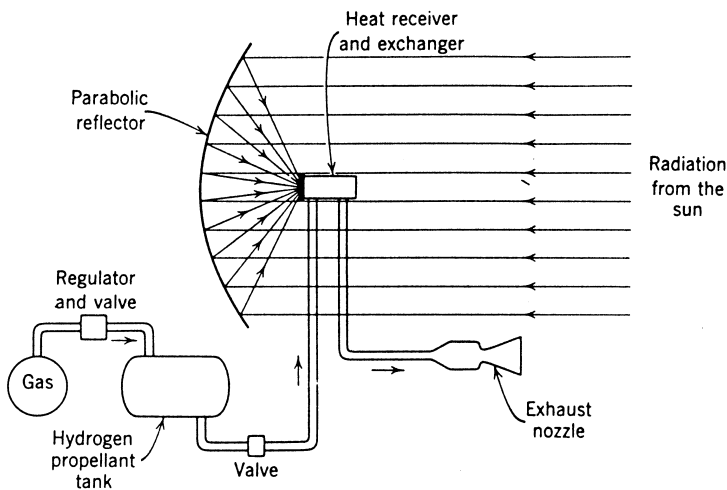


FIGURE 1-11. Simplified schematic diagram of a solar thermal rocket concept.

International Rocket Propulsion Effort

Active development or production of rocket propulsion systems is currently under way in more than 30 different countries. Some of them have made significant and original contributions to the state of the art of the technologies. There is mention in this book of a few foreign rocket units and their accomplishments and references to international rocket literature. Although most of the data in this book are taken from U.S. rocket experience, this is not intended to minimize foreign achievements.

At the time of this writing the major international program was the *International Space Station* (ISS), a multi-year cooperative effort with major contributions from the USA and Russia and active participation by several other nations. This manned orbital space station is used for conducting experiments and observations on a number of research projects.

1.3. APPLICATIONS OF ROCKET PROPULSION

Because the rocket can reach a performance unequaled by other prime movers, it has its own fields of application and does not usually compete with other propulsion devices. Examples of important applications are given below and discussed further in Chapter 4.

Space Launch Vehicles

Between the first space launch in 1957 and the end of 1998 approximately 4102 space launch attempts have taken place in the world and all but about 129 were successful (see Ref. 1–17). *Space launch vehicles* or *space boosters* can be classified broadly as expendable or recoverable/reusable. Other bases of classification are the type of propellant (storable or cryogenic liquid or solid propellants), number of stages (single-stage, two-stage, etc.), size/mass of payloads or vehicles, and manned or unmanned. Figure 1–12 shows the Titan III-C space launch vehicle, one member of the Titan family of storable propellant space launch vehicles, which is used extensively for boosting satellites into synchronous earth orbit or into escape trajectories for planetary travel. This heavy-duty launch vehicle consists of the basic 2-stage Titan III standard launch vehicle (liquid propellant rockets) supplemented by two solid propellant “strap-on motors.” A fourth stage, known as the transtage, permits a wide variety of maneuvers, orbit changes, and trajectory transfers to be accomplished with the payload, which can be one or more satellites or spacecraft.

Each space launch vehicle has a specific space flight objective, such as an earth orbit or a moon landing. It uses between two and five stages, each with its own propulsion system, and each is usually fired sequentially after the lower stage is expended. The number of stages depends on the specific space trajectory, the number and types of maneuvers, the energy content of a unit mass of



FIGURE 1-12. Titan III launch vehicle shortly after lift-off, with bright radiant exhaust gas. Two solid propellant rocket motors, each providing about 2.4 million pounds of thrust, boost the first stage, which also gets a sustained thrust of 470,000 pounds from two liquid rocket engines. The second stage has 100,000 pounds of thrust from a single liquid rocket engine, and one version of the third stage has two liquid rocket engines, each at 16,000 pounds of thrust.

the propellant, and other factors. The initial stage, usually called the booster stage, is the largest and it is operated first; this stage is then separated from the ascending vehicle before the second-stage rocket propulsion system is ignited and operated. As will be explained in Chapter 4, adding an extra stage permits a significant increase in the payload (such as more scientific instruments or more communications gear).

Each stage of a multistage launch vehicle is essentially a complete vehicle in itself and carries its own propellant, its own rocket propulsion system or systems, and its own control system. Once the propellant of a given stage is expended, the dead mass of that stage (including empty tanks, cases, instruments, etc.) is no longer useful in providing additional kinetic energy to the succeeding stages. By dropping off this useless mass it is possible to accelerate the final stage with its useful payload to a higher terminal velocity than would be attained if multiple staging were not used. Both solid propellant and liquid propellant rocket propulsion systems have been used for low earth orbits.

A single stage to orbit vehicle, attractive because it avoids the costs and complexities of staging, is expected to have improved reliability (simple structures, fewer components), and some versions may be recoverable and reusable. However, its payload is relatively very small. A low earth orbit (say 100 miles altitude) can only be achieved with such a vehicle if the propellant performance is very high and the structure is efficient and low in mass. Liquid propellants such as liquid hydrogen with liquid oxygen are usually chosen.

The missions and payloads for space launch vehicles are many, such as military (reconnaissance satellites, command and control satellites), non-military government (weather observation satellites, GPS or geopositioning satellites), space exploration (space environment, planetary missions), or commercial (communication satellites). Forecasts indicate that a large number of future commercial communications satellites will be needed.

Table 1–3 lists several important U.S. launch vehicles and their capabilities and Table 1–4 gives data on the Space Shuttle, which is really a combination of launch vehicle, spacecraft, and a glider. It can be seen that the thrust levels are highest for booster or first stages and are relatively high for upper stages (thousands of pounds). Only for the attitude control system of the vehicle (also called reaction control in Table 1–4) are the thrust levels low (from a fraction of a pound for small spacecraft to as high as about 1000 pounds thrust in the space shuttle vehicle). Frequent propulsion starts and stops are usually required in these applications.

Spacecraft

Depending on their missions, *spacecraft* can be categorized as earth satellites, lunar, interplanetary, and trans-solar types, and as manned and unmanned spacecraft. Rocket propulsion is used for both primary propulsion (i.e.,

TABLE 1-3. Selected United States Space Launch Vehicles

Name	Stage	Number of Engines or Motors per Stage	Thrust		Propellants	Launch Mass (metric tons)	Two-stage Payload Weight 100 n-mi (185 km) Orbit		Three-stage Payload Weight Geosynchronous Orbit	
			kN	lbf			kg	lbf	kg	lbf
Titan 34D	0	2	10,750	2,400,000 vac	Solid composite	1091	13,600	30,000	1820	4000
	1	2	2370	529,000	N ₂ O ₄ /N ₂ H ₄					
	2	1	452	101,000	+ UDMH					
	3	1	107	23,800	Solid composite					
Delta II 6925	0	6 + 3	443.5	Each 97,000 SL	Solid composite	132	2545	5600	1454	3200
	1	1	927	207,000 SL	LO ₂ /RP-1					
	2	1	1037	231,700 vac						
	2	1	43.2	9645	N ₂ O ₄ /N ₂ H ₄ – UDMH					
Atlas Centaur	3	1	67.6	15,100 vac	Solid composite	141	2772	6100	1545	3400
	1/2	2	Each 829 SL	Each 185,000 SL	LO ₂ /RP-1					
	1	1	269	60,000	LO ₂ /RP-1					
	2	2	Each 74 vac	Each 16,500 vac	LO ₂ /LH ₂					
Pegasus (air-launched)	1	1	726	163,000	Solid	23.1	490	1078 (Three stages)	NA	NA
	2	1	196	44,200	Solid					
	3	1	36	8060	Solid					

"SL" refers to sea level and "vac" refers to altitude or vacuum conditions.

TABLE 1-4. Propulsion Systems for the Space Shuttle

Vehicle Section	Propulsion System (No. of Units)	Number of Starts and Typical Burn Time	Propellant and Specific Impulse	Thrust	Mission
Shuttle orbiter	Space Shuttle main engine (3)	Start at launch 8.4 min duration Life: 55 starts and 7.5 hr	Liquid hydrogen-liquid oxygen 4464 N-sec/kg (455 sec)	1670 kN each (375,000 lb) at sea level 2100 kN each (470,000 lbf) at space vacuum Throttled 109 to 65% of rated power 27 kN each (6000 lbf) in vacuum	Lift orbiter off ground and accelerate to orbit velocity. Individual engines can be shut down to reduce thrust level.
	Orbital maneuver systems (2)	3 to 10 starts/mission; designed for 1000 starts, 100 flights, 15 hours of cumulative time	See Note 1; $I_s = 313$ sec		Insert orbiter vehicle into earth orbit, correct orbit, abort, and deorbit maneuver.
Solid rocket boosters (SRBs)	Reaction control system, 38 primary thrusters, 6 vernier thrusters	Multiple operations; thousands of starts; duration from a few milliseconds to seconds	See Note 1; $I_s = 280$ -304 sec, depending on nozzle area ratio	Primary thruster 3870 N each (870 lbf), vernier thruster 106.8 N each (25 lbf)	Small vehicle velocity adjustments and attitude control during orbit insertion, on orbit corrections, rendezvous, and reentry.
	Attached to external tank; multisection, 2 units Separation rocket motors; 16 units	Single start at launch 2 min 4 each at forward frustum and aft skirt; 0.66 sec, nominal	See Note 2 Solid propellant; $I_s = 250$ sec	14,700 kN each, or 3.3×10^6 lbf each 97,840 N each or 22,000 lbf	Boost Shuttle vehicle to about 5500 km/hr Move SRB away from vehicle after cut-off

Notes:

1. MMH, monomethylhydrazine and NTO, nitrogen tetroxide.
2. 70% Ammonium perchlorate; 16% aluminum; 12% polybutadiene acrylic acid binder; 2% epoxy curing agent.

along the flight path, such as for orbit insertion or orbit change maneuvers) and secondary propulsion functions in these vehicles. Some of the *secondary propulsion* functions are attitude control, spin control, momentum wheel and gyro unloading, stage separation, and the settling of liquids in tanks. A spacecraft usually has a series of different rocket propulsion systems, some often very small. For spacecraft attitude control about three perpendicular axes, each in two rotational directions, the system must allow the application of pure torque for six modes of angular freedom, thus requiring a minimum of 12 thrust chambers. Some missions require as few as four to six rocket units whereas the more complex manned spacecraft have 40 to 80 rocket units in all of its stages. Often the small *attitude control rockets* must give pulses or short bursts of thrust, necessitating thousands of restarts.

Table 1–5 presents a variety of spacecraft along with their weights, missions, and propulsion. Although only U.S. launch vehicles are listed in this table, there are also launch vehicles developed by France, the European Space Agency, Russia, Japan, China, India, and Israel that have successfully launched payloads into satellite orbits. They use rocket propulsion systems that were developed in their own countries.

The U.S. Space Shuttle program, using technology and experience from the X-15 rocket-powered research airplane, the Mercury and Gemini orbital flights, the Apollo lunar flight program, and Skylab, provided the first *reusable spacecraft* that lands on a runway. Figure 1–13 shows the basic configuration of the Space Shuttle, which consists of two stages, the booster and the orbiter. It shows all the 67 rocket propulsion systems of the shuttle. The orbiter is really a reusable combination vehicle, namely a spacecraft combined with a glider. The two solid propellant rocket motors are the largest in existence; they are equipped with parachutes for sea recovery of the burned-out motors. The large liquid oxygen/liquid hydrogen (LO_2/LH_2) external tank is jettisoned and expended just before orbit insertion (see Ref. 1–18). Details of several of these Space Shuttle rocket propulsion systems are given elsewhere in this book. The Space Shuttle accomplishes both civilian and military missions of placing satellites in orbit, undertaking scientific exploration, and repairing, servicing, and retrieving satellites.

A reusable single stage to orbit, experimental vehicle with a novel rocket engine is currently (1997) under development in the USA. It is a combination launch vehicle and spacecraft. The design takes advantage of advances in lightweight structures, a clever lifting aerodynamic body concept, and a tailored novel rocket engine that requires little space and fits well into the flight vehicle. This engine, known as a linear aerospike, has a novel configuration and is described further in Chapter 8.

The majority of spacecraft have used liquid propellant engines, with solid propellant boosters. Several spacecraft have operated successfully with electrical propulsion for attitude control. Electrical propulsion systems will probably also be used for some primary and secondary propulsion missions on long-duration space flights, as described in Chapter 19.

TABLE 1-5. Selected United States Spacecraft

Name	Space Maneuver Propulsion		Weight (lb)	Remarks
	Thrust (lbf)	Propellants ^a		
Mariner 69	50 (primary) 1.0 (secondary)	Hydrazine monopropellant	1100	Flyby of Venus/Mercury
Pioneer 10, 11	50 (primary)	Hydrazine monopropellant	570	Fly to Jupiter and beyond
Viking	600 (primary) 5.0 (secondary)	Hydrazine monopropellant	7500	Mars orbiter with soft lander
Nimbus 5	0.5 (secondary)	Hydrazine monopropellant	1700	Weather satellite
Apollo command and service module	20,500 (primary) 100 lbf 16 units 93 lbf 6 units (secondary)	Stored nitrogen N ₂ O ₄ /50:50 UDMH -N ₂ H ₄	64,500	Manned lunar landing
Space Shuttle orbiter	Two 6000-lbf units (primary) 38 units @ 900 lbf (secondary) Six 25-lbf units (secondary)	N ₂ O ₄ /MMH N ₂ O ₄ /MMH N ₂ O ₄ /MMH N ₂ O ₄ /MMH	150,000	Reusable spacecraft with runway landing
Fleet Communications Satellite	0.1 (secondary)	Hydrazine monopropellant	1854	UHF communications
Photo Recon	4.0 (secondary)	Hydrazine monopropellant	25,000	Radio/photo communications
Intelsat V communication satellite	0.10	Hydrazine	4180	Resistojet, electric propulsion for N-S station keeping
Deepspace I	0.02 (primary)	Xenon	1070	Ion propulsion engine for asteroid fly-by

^aN₂O₄, nitrogen tetroxide (oxidizer); MMH, monomethylhydrazine (fuel); 50:50 UDMH-N₂H₄ is a 50% mixture of unsymmetrical dimethylhydrazine and hydrazine.

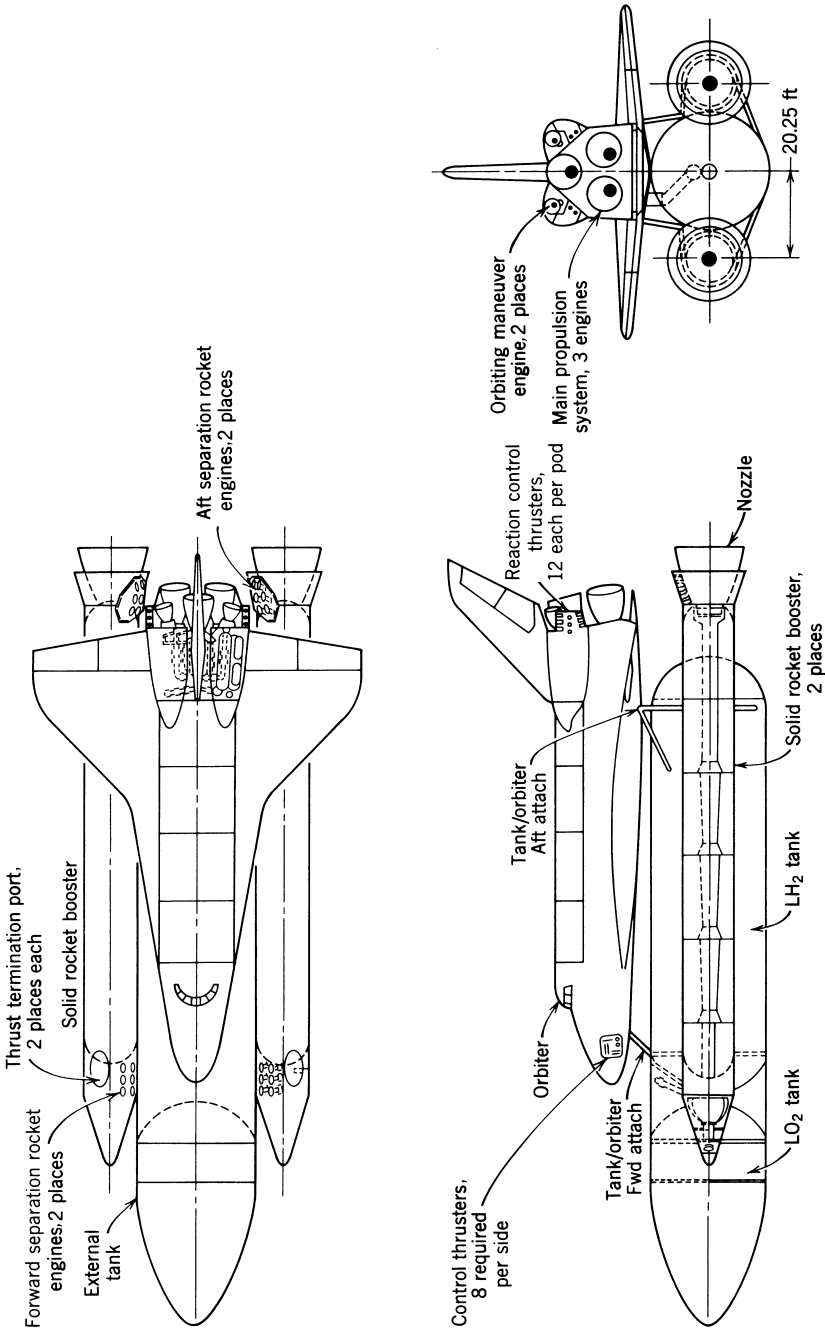


FIGURE 1-13. Simplified sketch of the Space Shuttle vehicle. The Shuttle Orbiter—the delta-winged vehicle about the size of a medium-range jet liner—is a reusable, cargo carrying, spacecraft–airplane combination that takes off vertically and lands horizontally like a glider. Each shuttle orbiter was designed for a minimum of 100 missions and can carry as much as 65,000 lb of payload to a low Earth orbit, and a crew of up to four members and 10 passengers. It can return up to 25,000 lb of payload back to Earth.

TABLE 1-6. Selected United States Missiles

Mission Category	Name	Diameter (ft)	Length (ft)	Propulsion	Launch Weight (lb)	
Surface-to-surface (long range)	Minuteman III	6.2	59.8	3 stages, solid	78,000	
	Poseidon	6.2	34	2 stages, solid	65,000	
	Titan II	10	103	2 stages, liquid	330,000	
	Surface-to-air (or to missile)	Chaparral	0.42	9.5	1 stage, solid	185
		Improved Hawk	1.2	16.5	1 stage, solid	1398
	Air-to-surface	Standard Missile	1.13	15 or 27	2 stage, solid	1350/2996
		Redeye	0.24	4	1 stage, solid	18
		Patriot	1.34	1.74	1 stage, solid	1850
		Maverick	1.00	8.2	1 stage, solid	475
		Shrike	0.67	10	1 stage, solid	400
SRAM		1.46	14	2 staged grains	2230	
Falcon		0.6	6.5	1 stage, solid	152	
Phoenix		1.25	13	1 stage, solid	980	
Sidewinder		0.42	9.5	1 stage, solid	191	
Sparrow		0.67	12	1 stage, solid	515	
Antisubmarine Battlefield Support (surface-to-surface, short range) cruise missile (subsonic)	Subroc	1.75	22	1 stage, solid	4000	
	Lance	1.8	20	2 stages, liquid	2424	
	Hellfire (antitank)	0.58	5.67	1 stage, solid	95	
	Pershing II	3.3	34.5	2 stages, solid	10,000	
	Tow (antitank)	0.58	3.84	1 stage, solid	40	
	Tomahawk	1.74	21	solid booster + turbofan	3900	

TABLE 1-7. Typical Propulsion Characteristics of Some Rocket Applications

Application	Type of Propellant	Thrust Profile	Typical Duration	Maximum Acceleration ^a
Large space launch vehicle booster	Solid or cryogenic liquid	Nearly constant thrust	2-8 min	2-6 g ₀
Antiaircraft or antimissile-missile	Solid, some with liquid terminal divert stage	High thrust boost, decreasing thrust sustain phase	2-75 sec each	5 to 20 g ₀ , but can be up to 100 g ₀
Spacecraft orbit maneuvers	Storable liquid or cryogenic liquid	Restartable	Up to 10 min cumulative duration	0.2-6 g ₀
Air launched guided missile	Solid	High thrust boost phase with low thrust or decreasing thrust for sustain phase; sometimes 2 pulses	Boost: 2-5 sec Sustain: 10-30 sec	Up to 25 g ₀
Battlefield support—surface launched	Solid	Same as above	Up to 2 min each stage	Up to 10 g ₀
Rocket assisted projectile, gun launched	Solid	Increase and then decrease in thrust	A few sec	Up to 20,000 g ₀
Spacecraft attitude control—large vehicles	Storable liquid (monopropellant or bipropellant); electric propulsion; xenon	Many restarts (up to 60,000); pulsing	Up to 1 hr cumulative duration	Less than 0.1 g ₀
Spacecraft attitude control—small vehicle	Cold or warm gas or storable liquid, electric propulsion	Same	Up to 40 min cumulative	Same
Reusable main engines for space shuttle	Cryogenic liquid (O ₂ /H ₂)	Variable thrust, many flights with same engine	8 min, over 7 hr cumulative in several missions	4-7 g ₀
Single stage to orbit (has not yet flown)	Cryogenic liquid (O ₂ /H ₂)	Throttled to lower thrust	6-10 min	
Lunar landing	Storable bipropellant	10:1 thrust variation	4 min	Several g ₀
Weather sounding rocket	Solid	Single burn period—often decreasing thrust	5-50 sec	Up to 15 g ₀
Antitank	Solid	Single burn period	0.2-3 sec	Up to 20 g ₀

^a g₀ is acceleration of gravity at the Earth's surface = 9.8066 m/sec² or 32.17 ft/sec²

Missiles and Other Applications

Military missiles can be classified as shown in Table 1–6. Rocket propulsion for new U.S. missiles uses now almost exclusively solid propellant rocket motors. They can be *strategic missiles*, such as long-range ballistic missiles (800 to 9000 km range) which are aimed at military targets within an enemy country, or *tactical missiles*, which are intended to support or defend military ground forces, aircraft, or navy ships.

The term *surface launch* can mean a launch from the ground, the ocean surface (from a ship), or from underneath the sea (submarine launch). Some tactical missiles, such as the air-to-surface SRAM missile, have a two-pulse solid propellant motor, where two separate, insulated grains are in the same motor case; the time interval before starting the second pulse can be timed to control the flight path or speed profile. Most countries now have tactical missiles in their military inventories, and many of these countries have a capability to produce their own rocket propulsion systems that are used to propel them.

Other applications of rockets include primary engines for research airplanes, assist-take-off rockets for airplanes, ejection of crew escape capsules and stores, personnel “propulsion belts,” and propulsion for target drones, weather sounding rockets, signal rockets, decoy rockets, spin rockets, vernier rockets, underwater rockets for torpedoes and missiles, the throwing of lifelines to ships, and “Fourth of July” rockets.

Tables 1–6 and 1–7 show some parameters of rocket propulsion devices for different applications. The selection of the best rocket propulsion system type and design for any given application is a complex process involving many factors, including system performance, reliability, propulsion system size, and compatibility, as described in Chapter 17. Comparisons and evaluations of many of these criteria are discussed in this book. Many factors, such as development, production or operating costs, available technology, and service life, though beyond the scope of this book, enter strongly into such a selection.

REFERENCES

- 1–1. G. C. Oates, *Aerothermodynamics of Gas Turbines and Rocket Propulsion*, American Institute of Aeronautics and Astronautics, Washington, DC, Revised 1988, 452 pages.
- 1–2. H. Cohen, G. F. C. Rogers, and H. I. H. Saravanamuttoo, *Gas Turbine Theory*, 3rd ed., Longman Scientific and Technical, New York, 1987, 414 pages.
- 1–3. K. E. Ziolkowsky, *Space Investigations by Means of Propulsive Spaceships* (in Russian), Kaluga, Saint Petersburg, 1914.
- 1–4. E. C. Goddard and G. E. Pendray. (Eds.), *The Papers of Robert H. Goddard*, three volumes, McGraw Hill Book Company, 1970. It includes the treatise “A

- Method of Reaching Extreme Altitudes,” originally published as Smithsonian Miscellaneous Collections, Vol. 71, No. 2, 1919.
- 1–5. Hermann Oberth, *Die Rakete zu den Planetenräumen* (By Rocket into Planetary Space), R. Oldenburg, Munich, 1923.
 - 1–6. E. Sänger, *Raketenflugtechnik* (Rocket Flight Technology), R. Oldenburg, Munich, 1933.
 - 1–7. W. von Braun and F. Ordway, *History of Rocketry and Space Travel*, 3rd ed., Thomas Y. Crowell, New York, 1974.
 - 1–8. F. F. Webster, “Integral Rocket/Ramjet Propulsion—Flight Data Correlation and Analysis Technique,” *Journal of Spacecraft*, Vol. 19, No. 4, July–August 1982.
 - 1–9. R. W. Bussard and R. D. DeLauer, *Nuclear Rocket Propulsion*, McGraw-Hill Book Company, New York, 1958.
 - 1–10. “Nuclear Thermal Rockets; Next Step in Space” (collection of three articles), *Aerospace America*, June 1989, pp. 16–29.
 - 1–11. D. Buden, “Nuclear Rocket Safety,” *Acta Astronautica*, Vol. 18, 30 Years of Progress in Space, 1988, pp. 217–224.
 - 1–12. R. C. Finke (Ed.), *Electric Propulsion and its Application to Space Missions*, Vol. 79, Progress in Aeronautics and Astronautics, American Institute of Aeronautics and Astronautics, New York, 1981.
 - 1–13. R. G. Jahn, *Physics of Electric Propulsion*, McGraw-Hill Book Company, New York, 1968, 339 pages.
 - 1–14. T. Svitek et al., “Solar Sails as Orbit Transfer Vehicle—Solar Sail Concept Study—Phase II Report,” *AIAA Paper 83-1347*, 1983.
 - 1–15. V. P. Ageev et al., “Some Characteristics of the Laser Multi-pulse Explosive Type Jet Thruster,” *Acta Astronautica*, Vol. 8, No. 5–6, 1981, pp. 625–641.
 - 1–16. R. A. Hyde, “A Laser Fusion Rocket for Interplanetary Propulsion,” *Preprint UCRL 88857*, Lawrence Livermore National Laboratory, Livermore, CA, September 1983
 - 1–17. T. D. Thompson (Ed.), *TRW Space Log*, Vol. 32 to 34., TRW Space and Electronics Group, TRW, Inc., Redondo Beach, CA., 1996 and 1997–1998.
 - 1–18. National Aeronautics and Space Administration, *National Space Transportation System Reference*, Vol. 1, *Systems and Facilities*, U.S. Government Printing Office, Washington, DC, June 1988.